



i-pos magnet

Compact and powerful
RAIN RFID Desktop Reader
and Magnetic Detacher

Fast, more accurate reading
and powerful integration,
It can work with Hardtag and all UHF RFID tags.

i-pos magnet desktop reader is a high performance and
multi-purpose RFID reader.





Reader designed for point of sale, document tracking, access
control and inventory management.

With its adjustable reading settings, variable reading zone from
1-50 cm and connectivity options, i-pos magnet is suitable for a
variety of applications.

Disclaimer: Our company, reserves the right to change its products and services at any time
without notice. Our recommendations are based on our best knowledge and experience. As the
products are used beyond our control we cannot be held liable for any damages caused when
using the product. Use extra care in handling the product and observe standard storage and
handling practices to minimize ESD (electro static discharge). This technical specification replaces
all earlier ones.



Key features:

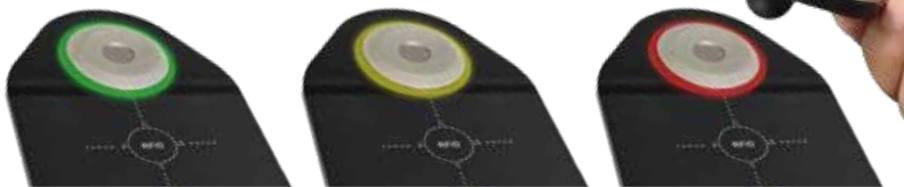
-  Fast and accurate reading
-  Easy integration
-  Bluetooth , USB HID, Ethernet and Wifi
-  Affordable price



Technical Features:

Protocol	EPC Class1 Gen2/ISO 18000-6C
Frequency Range	860 - 960 MHz
RF Power	1dBm-25dBm, 1dBm (Stepper)
Reading Range	< 45 cm
Antenna Polarisation	Circular
Read Rate	50 tags / second
Communication	Bluetooth , USB HID, Ethernet and Wifi
Power Input	5V DC
Power Consumption	24 W max
Materials	Metal, Plexiglass, Plastic
Dimensions	242x170x60mm
Weight	1.950 gr
Operating Temperature	-20 °C to +50 °C Humidity: 5%RH - 95%RH non condensing
Light Color and Sound	RGB Light, Buzzer Bip
Magnet	10.000 Gauss Super Magnet

Light Mod

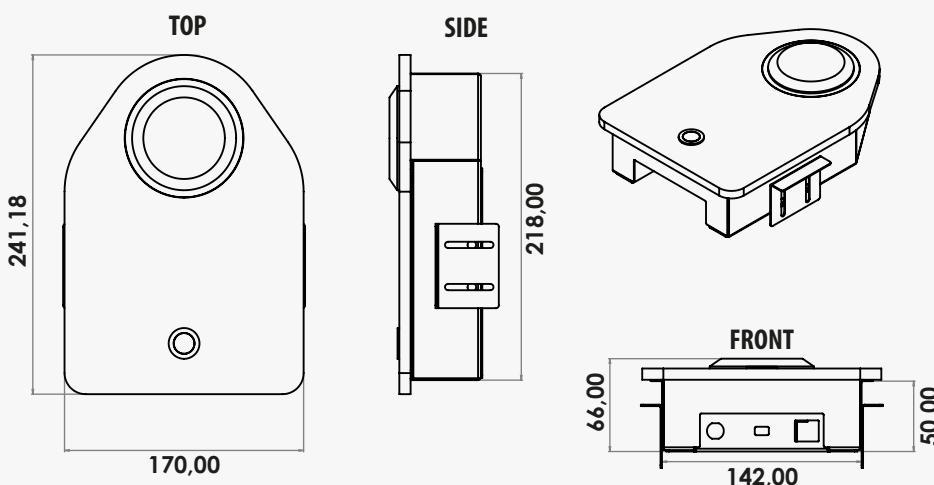


GREEN
Activate and send
information to the cashier.

YELLOW
Send information
to cashier only

RED
Deactivate and send
information to the cashier

Technical Dimensions mm:



Overview:

Frequency Band
UHF 860-960 MHz

International Standards
ISO/IEC 18000-6C
EPC Global Class 1 Gen 2

General Features:

- Default root login: Username - "root", Password - "HRFID"
- Full admin/super admin access
- Modifiable condition upon delivery

Network and Communication:

- Transmits data over the network via REST API
- Data transmitted includes EPC, TID, EAN, Store code, and MAC ID
- Network settings and API configuration easily configurable through the user interface

Data Transfer and Integration:

- Configurable EPC prefix replacement from hexadecimal 01 to FF except hexadecimal 30 using access password
- Ability to transfer EAN13 barcode data to cash register system by adding carriage return or desired character via USB keyboard port
- Local data storage in case of interrupted connection with i-pos Magnet
- Automatic synchronization with server upon connection restoration

Configuration and Management:

- Web-based management interface for configuration including light/sound, antenna power and server settings.
- Export and import of device settings for easy replication across multiple devices
- Quick integration and development possibilities with powerful Linux architecture

Note: i-pos Magnet provides comprehensive control over data transmission, integration, and management, coupled with robust security features and easy configuration, making it a versatile solution for various applications.

The Netherlands Office:

Dutch Innovation Factory
Bleiswijkseweg 37c 2712PB Zoetermeer,
Netherlands
www.uniqueid.nl

Main Office:

DEPARK Teknopark
İnciraltı Mah. Mithat Pasa Cad.
No: 56-20 kat:2/214
Balçova - İZMİR / TURKEY



CONTACT US!

+31 70 890 34 80
+90 850 441 66 66