



# i-pos magnet lite

Compact and powerful  
RAIN RFID Desktop Reader  
and Magnetic Detacher

Fast, more accurate reading  
and powerful integration,  
It can work with Hardtag and all UHF RFID tags.

i-pos magnet desktop reader is a high performance and multi-purpose RFID reader.





Reader designed for point of sale, document tracking, access control and inventory management.

With its adjustable reading settings, variable reading zone from 1-50 cm and connectivity options, i-pos magnet lite is suitable for a variety of applications.

Disclaimer: Our company, reserves the right to change its products and services at any time without notice. Our recommendations are based on our best knowledge and experience. As the products are used beyond our control we cannot be held liable for any damages caused when using the product. Use extra care in handling the product and observe standard storage and handling practices to minimize ESD (electro static discharge). This technical specification replaces all earlier ones.



## Key features:

-  Fast and accurate reading
-  Easy integration
-  USB Host
-  Affordable price



## Technical Features:

Protocol	EPC Class1 Gen2/ISO 18000-6C
Frequency Range	860 - 960 MHz
RF Power	1dBm-25dBm, 1dBm (Stepper)
Reading Range	< 50 cm
Antenna Polarisation	Circular
Read Rate	50 tags / second
Communication	USB Host
Power Input	NO
Power Consumption	USB Power 5V
Materials	Metal, Plexiglass, Wood, Plastic
Dimensions	251x180x71mm
Weight	2.000 gr
Operating Temperature	-20 °C to +50 °C Humidity: 5%RH - 95%RH
Light Color and Sound	Red Light, Buzzer Bip
Magnet	10.000 Gauss Super Magnet



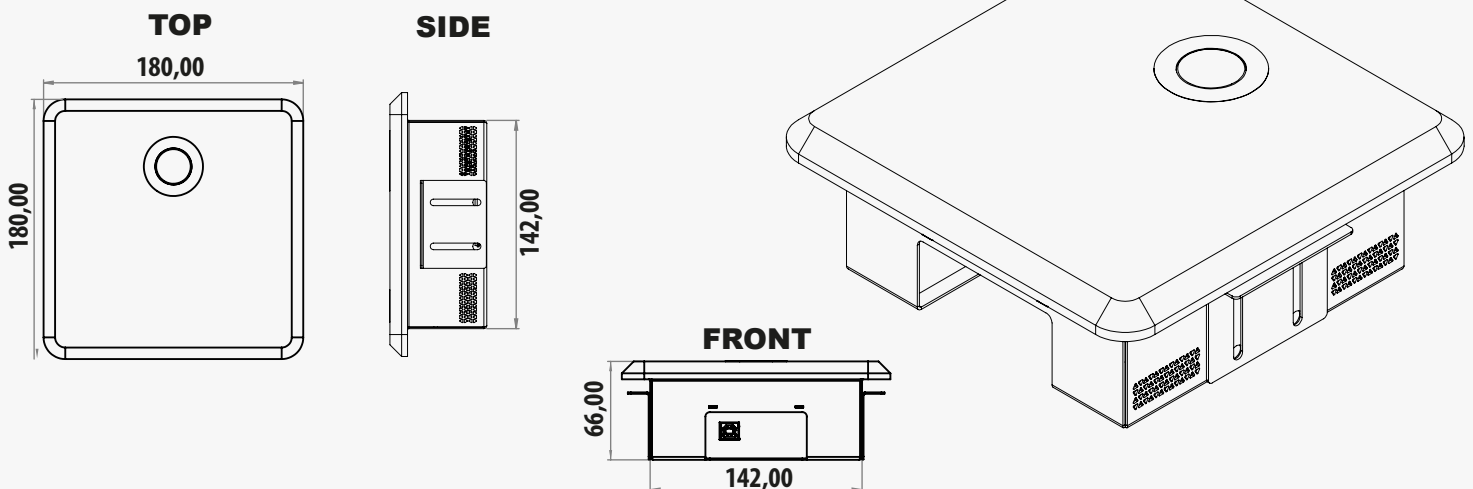
## Overview:

Frequency Band  
UHF 860-960 MHz

International Standards  
ISO/IEC 18000-6C  
EPC Global Class 1 Gen 2

	i-pos magnet	i-pos magnet lite
<b>RFID</b>		
Reader	Impinj E310 (25 dBm)	Impinj E310 (18 dBm)
Antenna	1 x Near Field CP	1 x Near Field CP
<b>Operational</b>		
Micro computer	Yes	No
Operating System	Linux	No
Software	Built-in	Windows Service
Keyboard Emulator	USB HID	Software Based
Integration	Built-in	via Windows Service
Buttons	Mode Button	No
Mode LEDs	RGB	No
<b>Connectivity</b>		
Ethernet	Yes	No
Wi-Fi	Yes	No
USB	Yes (USB Keyboard)	Yes (USB Host)
<b>Power</b>		
DC IN	12 V DC	No
POE	IEEE 802.3at	No
USB Power	No	Yes
<b>Body</b>		
Magnet Detacher	Yes	Yes
Body	Metal	Metal
Top Surface	Polished Wood	Plastic or Polished Wood

## Technical Dimensions mm:



### The Netherlands Office:

Dutch Innovation Factory  
Bleiswijkseweg 37c 2712PB Zoetermeer,  
Netherlands  
www.uniqueid.nl

### Main Office:

DEPARK Teknopark  
İnciraltı Mah. Mithat Pasa Cad.  
No: 56-20 kat:2/214  
Balçova - İZMİR / TURKEY



CONTACT US!

+31 70 890 34 80  
+90 850 441 66 66