



# i-pos magnet

## Compact and powerful RAIN RFID Desktop Reader and Magnetic Detacher

Fast, more accurate reading  
and powerful integration,  
It can work with Hardtag and all UHF RFID tags.

i-pos magnet desktop reader is a high performance and  
multi-purpose RFID reader.





Reader designed for point of sale, document tracking, access  
control and inventory management.

With its adjustable reading settings, variable reading zone from  
1-50 cm and connectivity options, i-pos magnet is suitable for a  
variety of applications.

Disclaimer: Our company, reserves the right to change its products and services at any time  
without notice. Our recommendations are based on our best knowledge and experience. As the  
products are used beyond our control we cannot be held liable for any damages caused when  
using the product. Use extra care in handling the product and observe standard storage and  
handling practices to minimize ESD (electro static discharge). This technical specification replaces  
all earlier ones.



### Key features:

-  Fast and accurate reading
-  Easy integration
-  Bluetooth , USB HID, POE Passive Ethernet and Wifi
-  Affordable price



## Technical Features:

|                       |   |
|-----------------------|---|
| Protocol              | EPC Class1 Gen2/ISO 18000-6C                              |
| Frequency Range       | 860 - 960 MHz   |
| RF Power              | 1dBm-25dBm, 1dBm (Stepper)                                |
| Reading Range         | < 45 cm   |
| Antenna Polarisation  | Circular  |
| Read Rate             | 50 tags / second  |
| Communication         | Bluetooth , USB HID, Ethernet, Wi-Fi                      |
| Power Input           | 12VDC, Active POE (802.3at)                               |
| Power Consumption     | 24VDC max   |
| Materials             | Metal, Plexiglass, Wood, Plastic                          |
| Dimensions            | 251x180x71mm  |
| Weight                | 2.000 gr  |
| Operating Temperature | -20 °C to +50 °C<br>Humidity: 5%RH - 95%RH non condensing |
| Light Color and Sound | RGB Light, Buzzer Bip                                     |
| Magnet                | 10.000 Gauss Super Magnet                                 |

### Light Mod



#### GREEN

Activate and send information to the cashier.

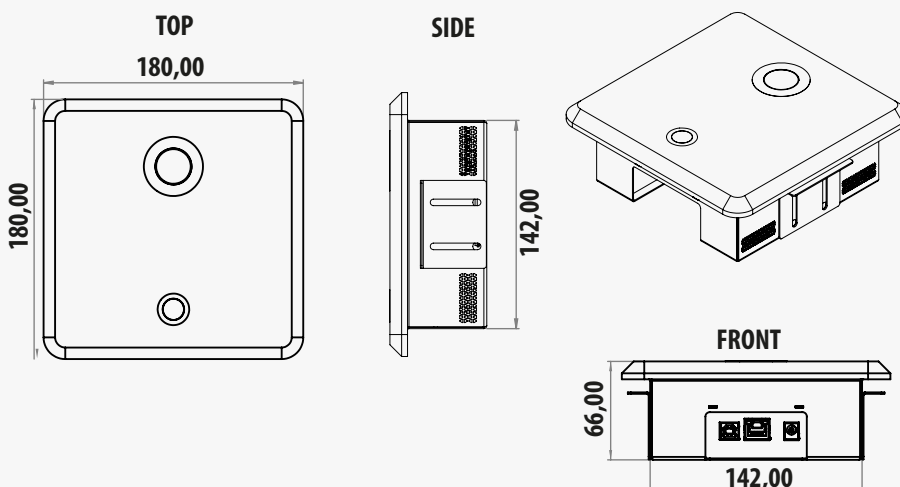
#### YELLOW

Send information to cashier only

#### RED

Deactivate and send information to the cashier

## Technical Dimensions mm:



## Overview:

### Frequency Band

UHF 860-960 MHz

### International Standards

ISO/IEC 18000-6C

EPC Global Class 1 Gen 2

### General Features:

- Full admin/super admin access
- Modifiable condition upon delivery

### Network and Communication:

- Transmits data over the network via REST API
- Data transmitted includes EPC, TID, EAN, Store code, and MAC ID
- Network settings and API configuration easily configurable through the user interface

### Data Transfer and Integration:

- Configurable EPC prefix replacement from hexadecimal 01 to FF except hexadecimal 30 using access password
- Ability to transfer EAN13 barcode data to cash register system by adding carriage return or desired character via USB keyboard port
- Local data storage in case of interrupted connection with i-pos Magnet
- Automatic synchronization with server upon connection restoration

### Configuration and Management:

- Web-based management interface for configuration including light/sound, antenna power and server settings.
- Export and import of device settings for easy replication across multiple devices
- Quick integration and development possibilities with powerful Linux architecture

**Note:** i-pos Magnet provides comprehensive control over data transmission, integration, and management, coupled with robust security features and easy configuration, making it a versatile solution for various applications.

### The Netherlands Office:

Dutch Innovation Factory  
Bleiswijkseweg 37c 2712PB Zoetermeer,  
Netherlands  
[www.uniqueid.nl](http://www.uniqueid.nl)

### Main Office:

DEPARK Teknopark  
İnciraltı Mah. Mithat Pasa Cad.  
No: 56-20 kat:2/214  
Balçova - İZMİR / TURKEY



CONTACT US!

**+31 70 890 34 80**

**+90 850 441 66 66**